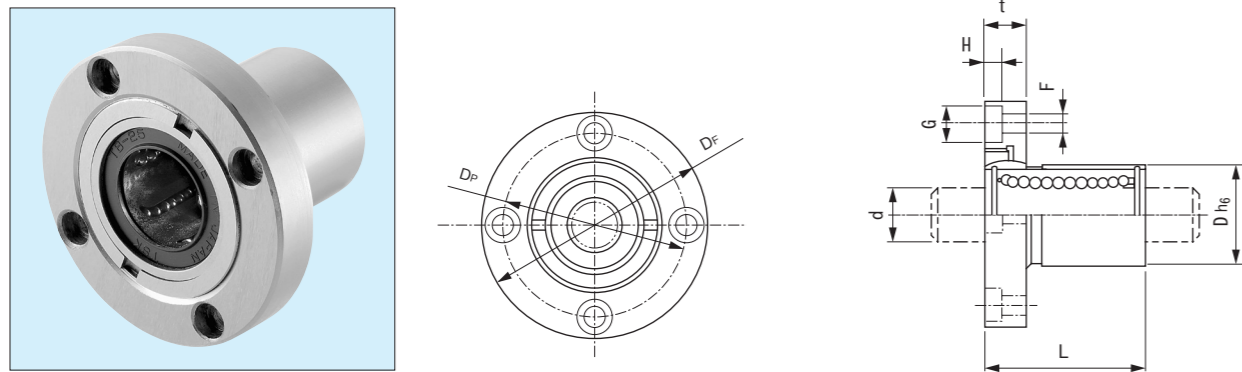
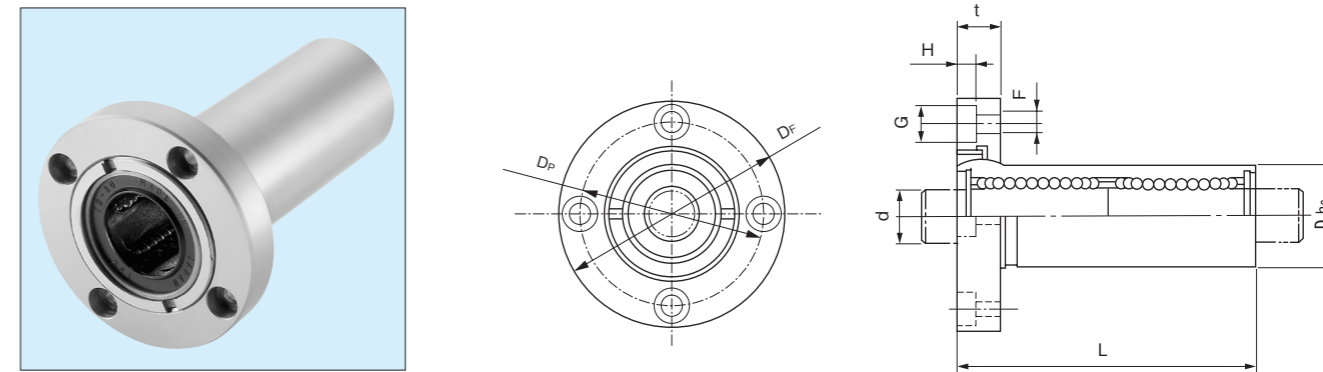


Self-Aligning Round Flange type FTSB series



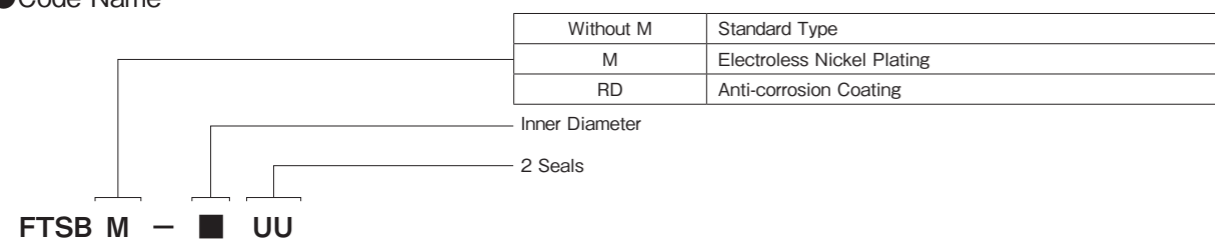
Shaft Diameter (mm)	Code Name	Major Dimensions (mm)									Eccentricity (MAX) (μm)	Basic Load Rating	
		d	D	L	D _F	t	D _P	F	G	H		C (N)	C ₀ (N)
10	FTSB-10UU	10	19	30	43	8	34.5	3.4	6.5	3.3	12	372	548
12	FTSB-12UU	12	21	31	48	9	39	4.5	7.5	4.3		411	597
13	FTSB-13UU	13	23	33	48	9.5	39	4.5	7.5	4.3		509	774
16	FTSB-16UU	16	28	38	54	11	44	4.5	7.5	4.3		774	1,176
20	FTSB-20UU	20	32	43	62	12	51	5.5	9	5.3	15	862	1,372
25	FTSB-25UU	25	40	59	74	13	62	5.5	9	5.3		980	1,568
30	FTSB-30UU	30	45	65	82	14	67	6.6	11	6.5		1,568	2,744
35	FTSB-35UU	35	52	70	96	15	81	6.6	11	6.5	20	1,666	3,136
40	FTSB-40UU	40	60	80	108	16	90	9	14	8.5		2,156	4,018

Self-Aligning Round Flange Double type FTSBW series



Shaft Diameter (mm)	Code Name	Major Dimensions (mm)									Eccentricity (MAX) (μm)	Basic Load Rating	
		d	D	L	D _F	t	D _P	F	G	H		C (N)	C ₀ (N)
10	FTSBW-10UU	10	19	56	43	8	34.5	3.4	6.5	3.3	15	588	784
12	FTSBW-12UU	12	21	58	48	9	39	4.5	7.5	4.3		656	854
13	FTSBW-13UU	13	23	62	48	9.5	39	4.5	7.5	4.3		813	1,568
16	FTSBW-16UU	16	28	70	54	11	44	4.5	7.5	4.3		1,225	2,352
20	FTSBW-20UU	20	32	80	62	12	51	5.5	9	5.3	20	1,401	2,744
25	FTSBW-25UU	25	40	112	74	13	62	5.5	9	5.3		1,558	3,136
30	FTSBW-30UU	30	45	123	82	14	67	6.6	11	6.5		2,489	5,488
35	FTSBW-35UU	35	52	135	96	15	81	6.6	11	6.5	25	2,646	6,272
40	FTSBW-40UU	40	60	154	108	16	90	9	14	8.5		3,430	8,036

Code Name



Code Name

