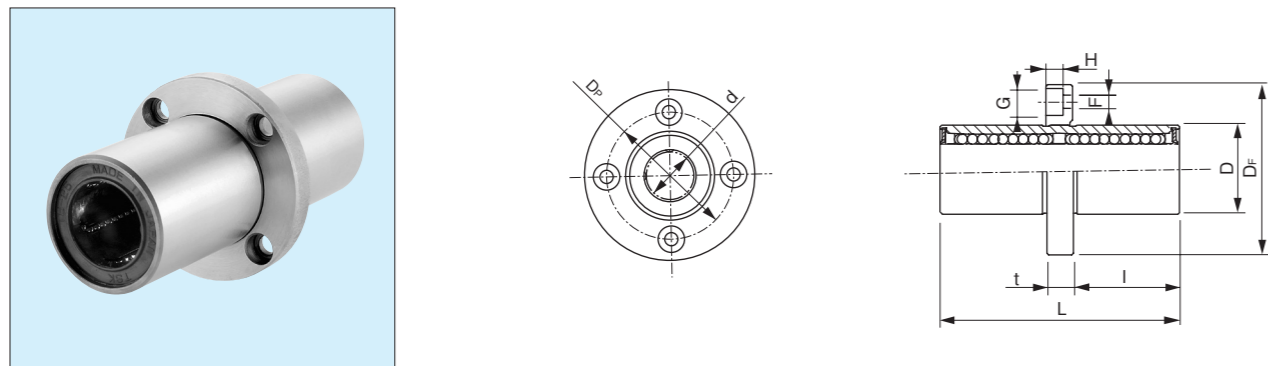
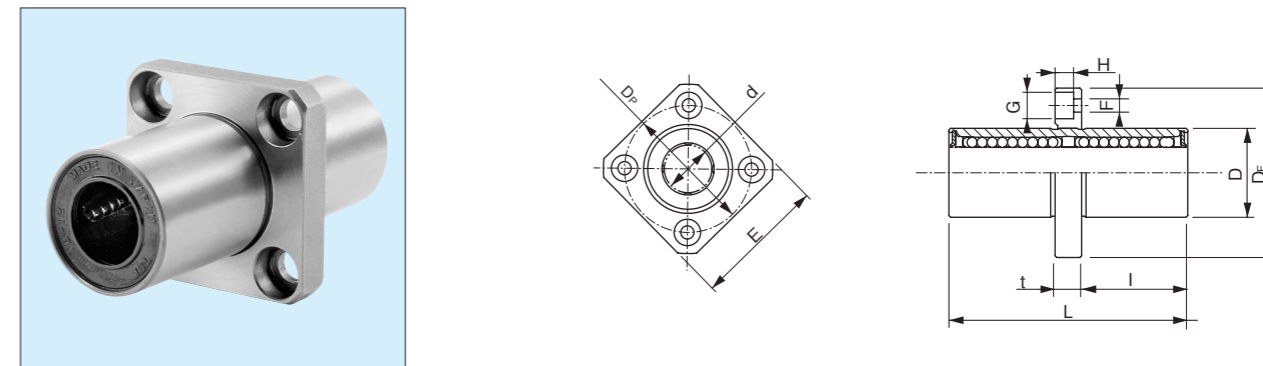


Round Flange (Center Spigot-joint) Double type FTBCW series



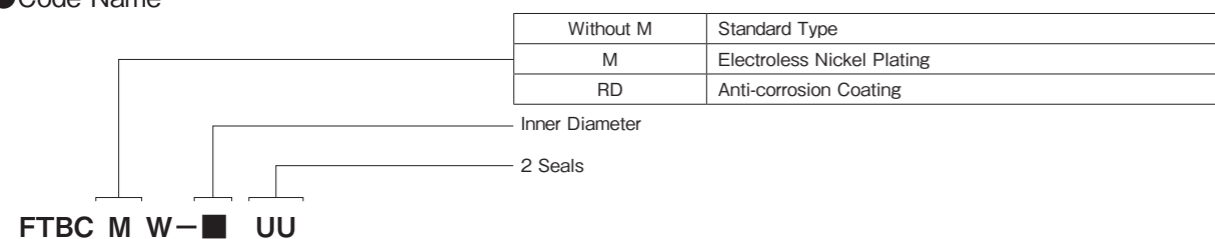
Shaft Diameter (mm)	Code Name	Major Dimensions (mm)										Perpendicularity ( $\mu\text{m}$ )	Eccentricity (MAX) ( $\mu\text{m}$ )	Basic Load Rating	
		d	D	L	D <sub>F</sub>	t	D <sub>P</sub>	F	G	H	I			C (N)	C <sub>0</sub> (N)
6	FTBCW-6UU	6	12	35	28	5	20	3.5	6	3.1	15	15	15	323	529
8	FTBCW-8UU	8	15	45	32	5	24	3.5	6	3.1	20			431	784
10	FTBCW-10UU	10	19	55	40	6	29	4.5	7.5	4.1	24.5			588	1,097
12	FTBCW-12UU	12	21	57	42	6	32	4.5	7.5	4.1	25.5			656	1,195
13	FTBCW-13UU	13	23	61	43	6	33	4.5	7.5	4.1	27.5			813	1,568
16	FTBCW-16UU	16	28	70	48	6	38	4.5	7.5	4.1	32			1,225	2,352
20	FTBCW-20UU	20	32	80	54	8	43	5.5	9	5.1	36	20	20	1,401	2,744
25	FTBCW-25UU	25	40	112	62	8	51	5.5	9	5.1	52			1,558	3,136
30	FTBCW-30UU	30	45	123	74	10	60	6.6	11	6.1	56.5			2,489	5,488

Square Flange (Center Spigot-joint) Double type KTBCW series



Shaft Diameter (mm)	Code Name	Major Dimensions (mm)										Perpendicularity ( $\mu\text{m}$ )	Eccentricity (MAX) ( $\mu\text{m}$ )	Basic Load Rating		
		d	D	L	D <sub>F</sub>	E	t	D <sub>P</sub>	F	G	H			I	C (N)	C <sub>0</sub> (N)
6	KTBCW-6UU	6	12	35	28	22	5	20	3.5	6	3.1	15	15	15	323	529
8	KTBCW-8UU	8	15	45	32	25	5	24	3.5	6	3.1	20			431	784
10	KTBCW-10UU	10	19	55	40	30	6	29	4.5	7.5	4.1	24.5			588	1,097
12	KTBCW-12UU	12	21	57	42	32	6	32	4.5	7.5	4.1	25.5			656	1,195
13	KTBCW-13UU	13	23	61	43	34	6	33	4.5	7.5	4.1	27.5			813	1,568
16	KTBCW-16UU	16	28	70	48	37	6	38	4.5	7.5	4.1	32			1,225	2,352
20	KTBCW-20UU	20	32	80	54	42	8	43	5.5	9	5.1	36	20	20	1,401	2,744
25	KTBCW-25UU	25	40	112	62	50	8	51	5.5	9	5.1	52			1,558	3,136
30	KTBCW-30UU	30	45	123	74	58	10	60	6.6	11	6.1	56.5			2,489	5,488

Code Name



Code Name

