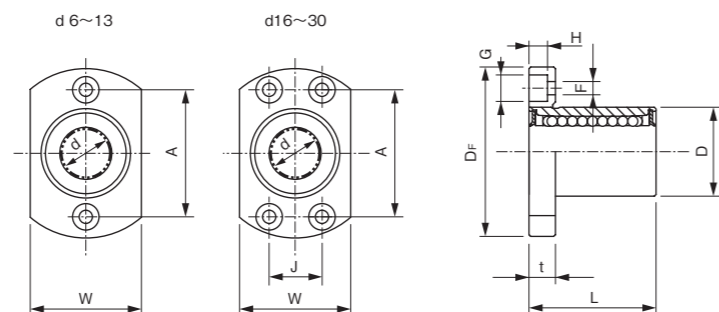
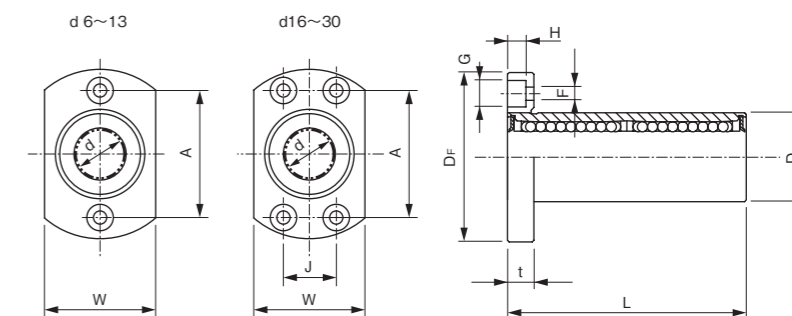


Compact Flange type CFTB series



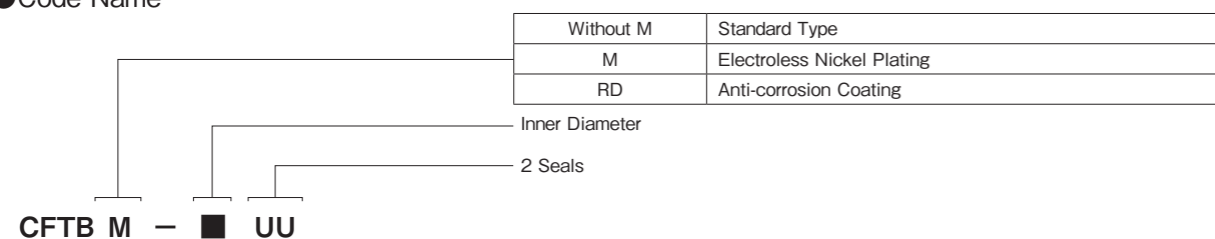
Shaft Diameter (mm)	Code Name	Major Dimensions (mm)											Perpendicularity (μm)	Eccentricity (MAX) (μm)	Basic Load Rating	
		d	D	L	D _F	t	J	W	A	F	G	H			C (N)	C ₀ (N)
6	CFTB-6UU	6	12	19	28	5	-	18	20	3.5	6	3.1	12	12	205	264
8	CFTB-8UU	8	15	24	32	5	-	21	24	3.5	6	3.1			264	401
10	CFTB-10UU	10	19	29	40	6	-	25	29	4.5	7.5	4.1			372	548
12	CFTB-12UU	12	21	30	42	6	-	27	32	4.5	7.5	4.1			411	597
13	CFTB-13UU	13	23	32	43	6	-	29	33	4.5	7.5	4.1			509	774
16	CFTB-16UU	16	28	37	48	6	22	34	31	4.5	7.5	4.1			774	1,176
20	CFTB-20UU	20	32	42	54	8	24	38	36	5.5	9	5.1	15	15	862	1,372
25	CFTB-25UU	25	40	59	62	8	32	46	40	5.5	9	5.1			980	1,568
30	CFTB-30UU	30	45	64	74	10	35	51	49	6.6	11	6.1			1,568	2,744

Compact Flange Double type CFBTW series



Shaft Diameter (mm)	Code Name	Major Dimensions (mm)											Perpendicularity (μm)	Eccentricity (MAX) (μm)	Basic Load Rating	
		d	D	L	D _F	t	J	W	A	F	G	H			C (N)	C ₀ (N)
6	CFBTW-6UU	6	12	35	28	5	-	18	20	3.5	6	3.1	15	15	323	529
8	CFBTW-8UU	8	15	45	32	5	-	21	24	3.5	6	3.1			431	784
10	CFBTW-10UU	10	19	55	40	6	-	25	29	4.5	7.5	4.1			588	1,097
12	CFBTW-12UU	12	21	57	42	6	-	27	32	4.5	7.5	4.1			656	1,195
13	CFBTW-13UU	13	23	61	43	6	-	29	33	4.5	7.5	4.1			813	1,568
16	CFBTW-16UU	16	28	70	48	6	22	34	31	4.5	7.5	4.1			1,225	2,352
20	CFBTW-20UU	20	32	80	54	8	24	38	36	5.5	9	5.1	20	20	1,401	2,744
25	CFBTW-25UU	25	40	112	62	8	32	46	40	5.5	9	5.1			1,558	3,136
30	CFBTW-30UU	30	45	123	74	10	35	51	49	6.6	11	6.1			2,489	5,488

Code Name



Code Name

