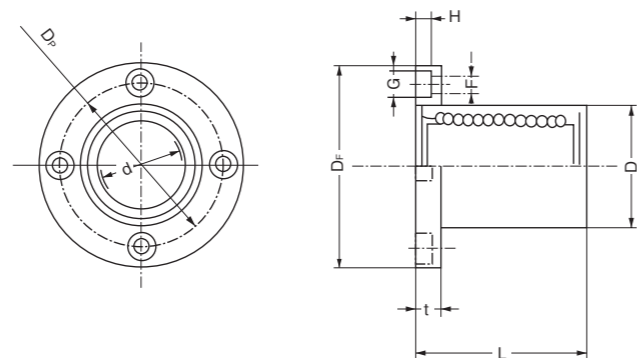
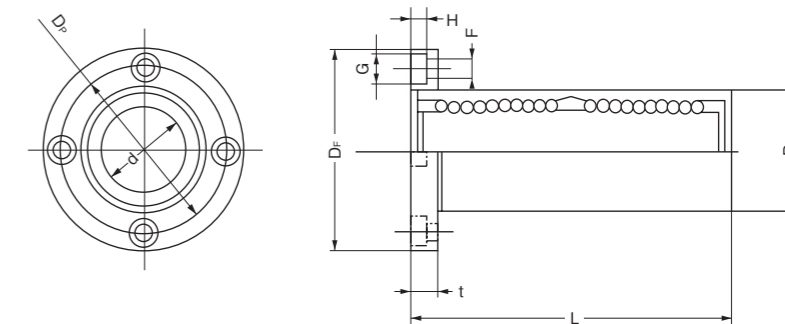


Round Flange type FTB series



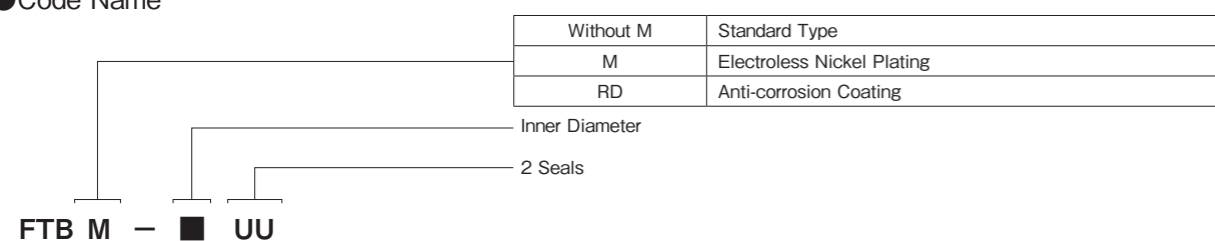
Shaft Diameter (mm)	Code Name	Major Dimensions (mm)									Perpendicularity (μm)	Eccentricity (MAX) (μm)	Basic Load Rating	
		d	D	L	D _F	t	D _P	F	G	H			C (N)	C ₀ (N)
6	FTB-6UU	6	12	19	28	5	20	3.5	6	3.1	12	12	205	264
8	FTB-8UU	8	15	24	32	5	24	3.5	6	3.1			264	401
10	FTB-10UU	10	19	29	40	6	29	4.5	7.5	4.1			372	548
12	FTB-12UU	12	21	30	42	6	32	4.5	7.5	4.1			411	597
13	FTB-13UU	13	23	32	43	6	33	4.5	7.5	4.1			509	774
16	FTB-16UU	16	28	37	48	6	38	4.5	7.5	4.1			774	1,176
20	FTB-20UU	20	32	42	54	8	43	5.5	9	5.1	15	15	862	1,372
25	FTB-25UU	25	40	59	62	8	51	5.5	9	5.1			980	1,568
30	FTB-30UU	30	45	64	74	10	60	6.6	11	6.1			1,568	2,744
35	FTB-35UU	35	52	70	82	10	67	6.6	11	6.1	20	20	1,666	3,136
40	FTB-40UU	40	60	80	96	13	78	9	14	8.1			2,156	4,018

Round Flange Double type FTBW series



Shaft Diameter (mm)	Code Name	Major Dimensions (mm)									Perpendicularity (μm)	Eccentricity (MAX) (μm)	Basic Load Rating	
		d	D	L	D _F	t	D _P	F	G	H			C (N)	C ₀ (N)
6	FTBW-6UU	6	12	35	28	5	20	3.5	6	3.1	15	15	323	529
8	FTBW-8UU	8	15	45	32	5	24	3.5	6	3.1			431	784
10	FTBW-10UU	10	19	55	40	6	29	4.5	7.5	4.1			588	1,097
12	FTBW-12UU	12	21	57	42	6	32	4.5	7.5	4.1			656	1,195
13	FTBW-13UU	13	23	61	43	6	33	4.5	7.5	4.1			813	1,568
16	FTBW-16UU	16	28	70	48	6	38	4.5	7.5	4.1			1,225	2,352
20	FTBW-20UU	20	32	80	54	8	43	5.5	9	5.1	20	20	1,401	2,744
25	FTBW-25UU	25	40	112	62	8	51	5.5	9	5.1			1,558	3,136
30	FTBW-30UU	30	45	123	74	10	60	6.6	11	6.1			2,489	5,488
35	FTBW-35UU	35	52	135	82	10	67	6.6	11	6.1	25	25	2,646	6,272
40	FTBW-40UU	40	60	151	96	13	78	9	14	8.1			3,430	8,036

Code Name



Code Name

