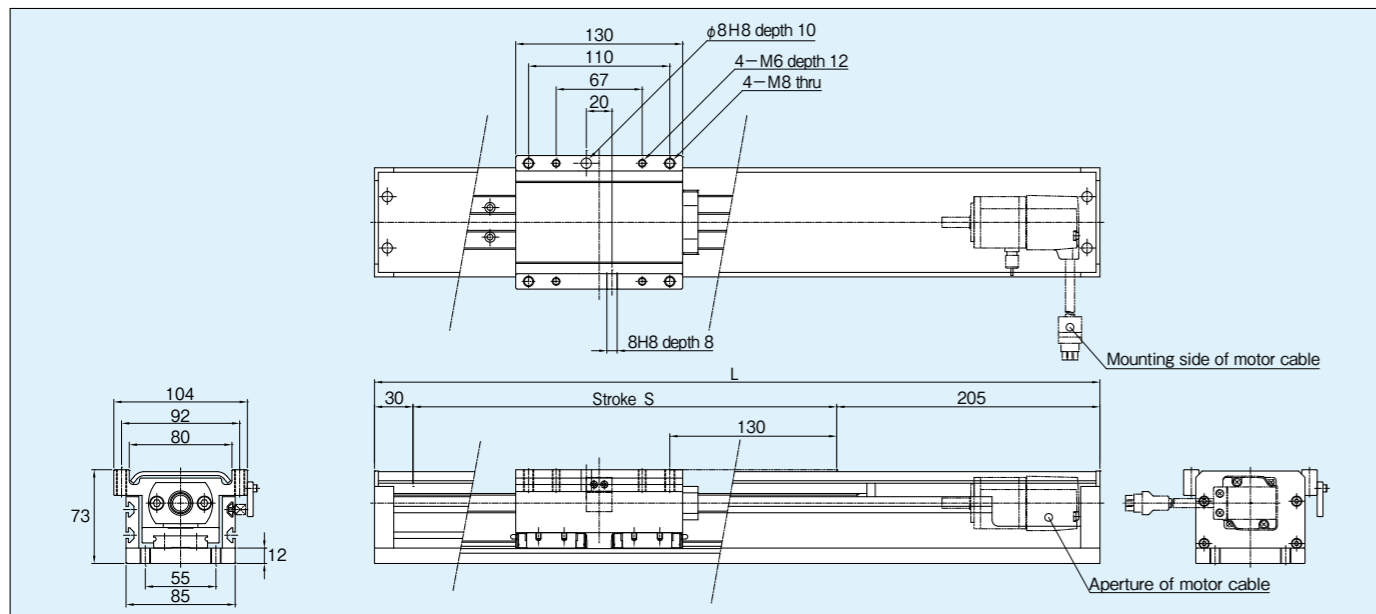


Standard Electrical Linear Actuator

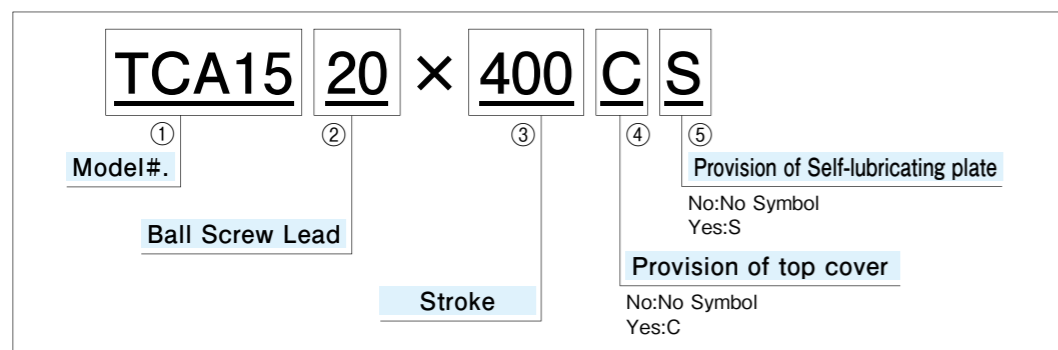
TCA series



Specification

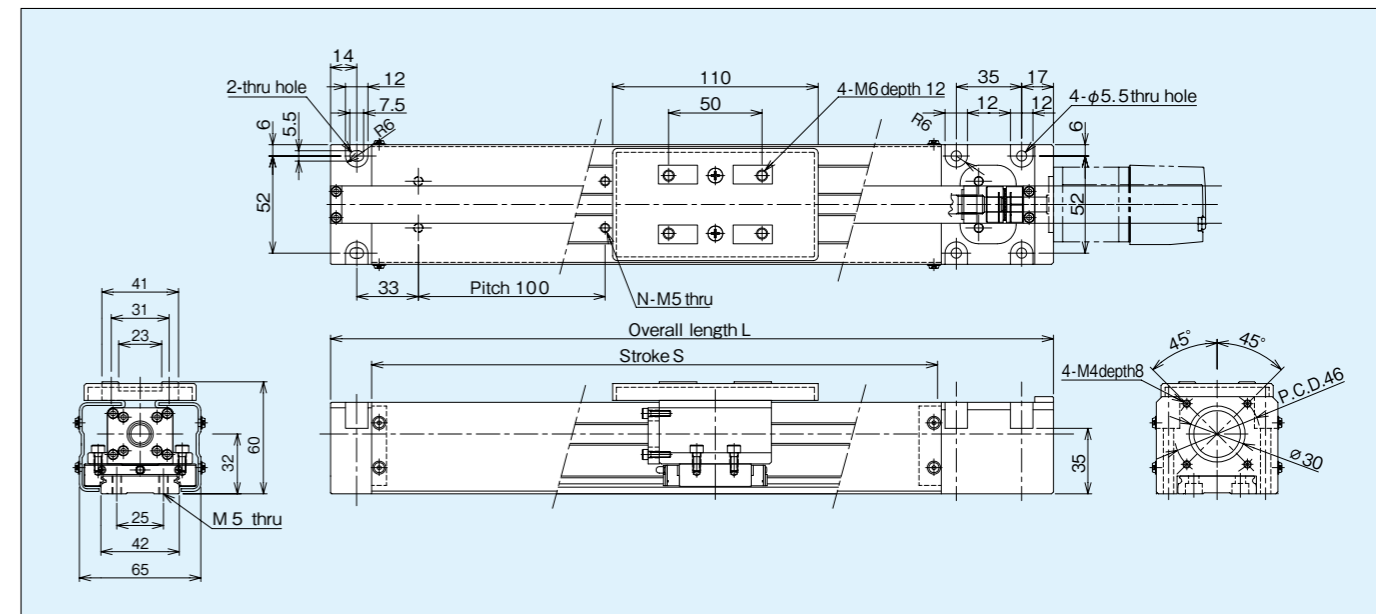
TCA	Unit	50 W Motor	100 W Motor
Continuous velocity	mm/s	1000	1000
Max. velocity	mm/s	stroke ~300mm	1500
		stroke ~400mm	1500
		stroke ~500mm	1200
		stroke ~600mm	1000
		stroke ~700mm	800
Continuous force	N	40	80
Max. force	N	161	322
Max. acceleration	G	0.3	0.3
Horizontal payload	kg	10	30
Ball screw shaft dia.	mm	15	15
Ball screw lead	mm	20	20
Motor rated torque	N.m	0.159	0.319
Repeatability	mm	±0.01	±0.01
Weight	kg	13.5/600ST	13.5/600ST

How to Order



Low-cost Electrical Linear Actuator

TCA-E series



Specification

TCA-E	Unit	50 W Motor	100 W Motor
Continuous velocity	mm/s	600	600
Max. velocity	mm/s	stroke ~300mm	1000
		stroke ~400mm	800
		stroke ~500mm	800
		stroke ~600mm	680
		stroke ~700mm	680
Continuous force	N	67	134
Max. force	N	201	398
Max. acceleration	G	0.3	0.3
Horizontal payload	kg	8	16
Ball screw shaft dia.	mm	12	12
Ball screw lead	mm	12	12
Motor rated torque	N.m	0.159	0.319
Repeatability	mm	±0.01	±0.01
Weight	kg	6.5/700ST	6.5/700ST

How to Order

