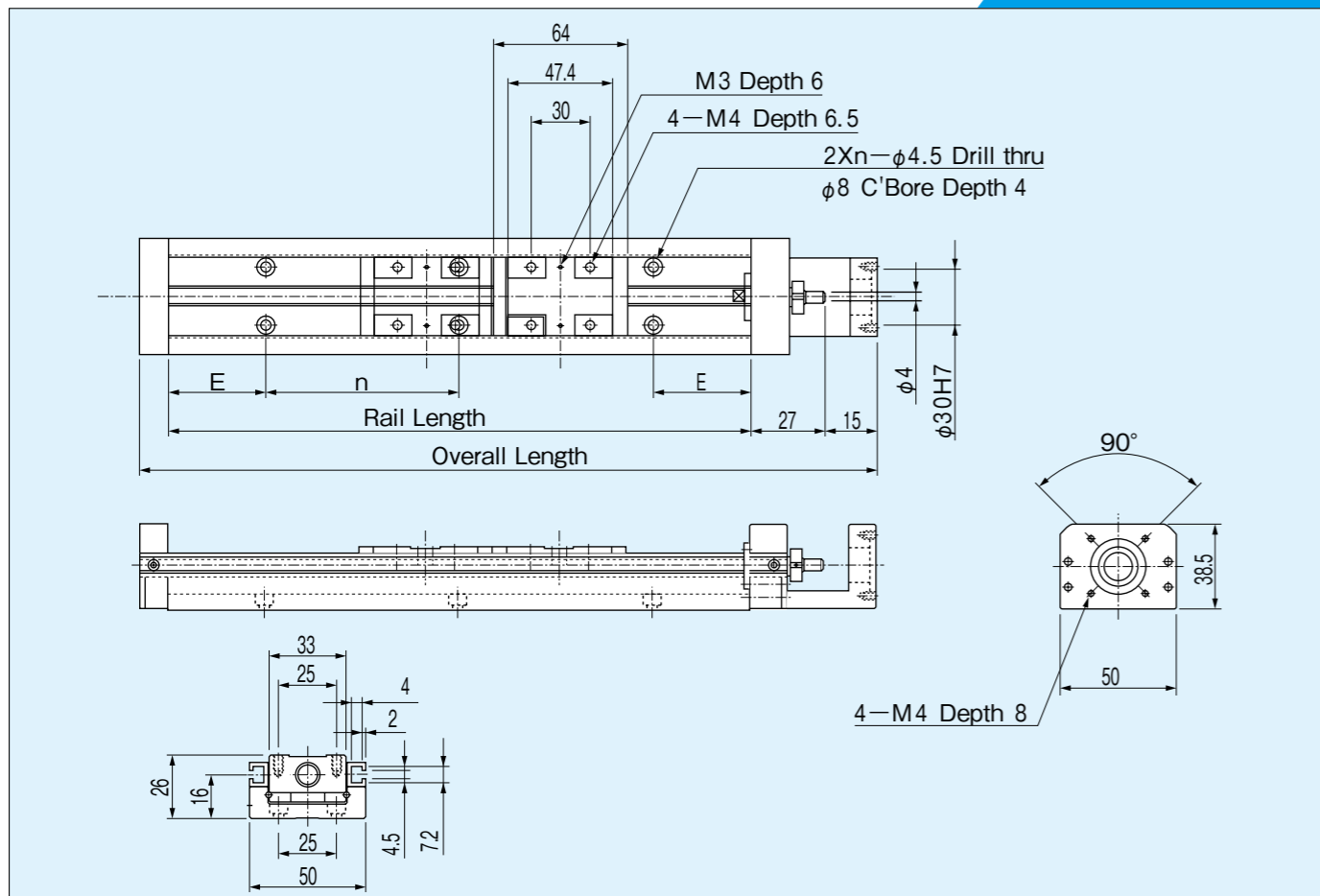


# CA26

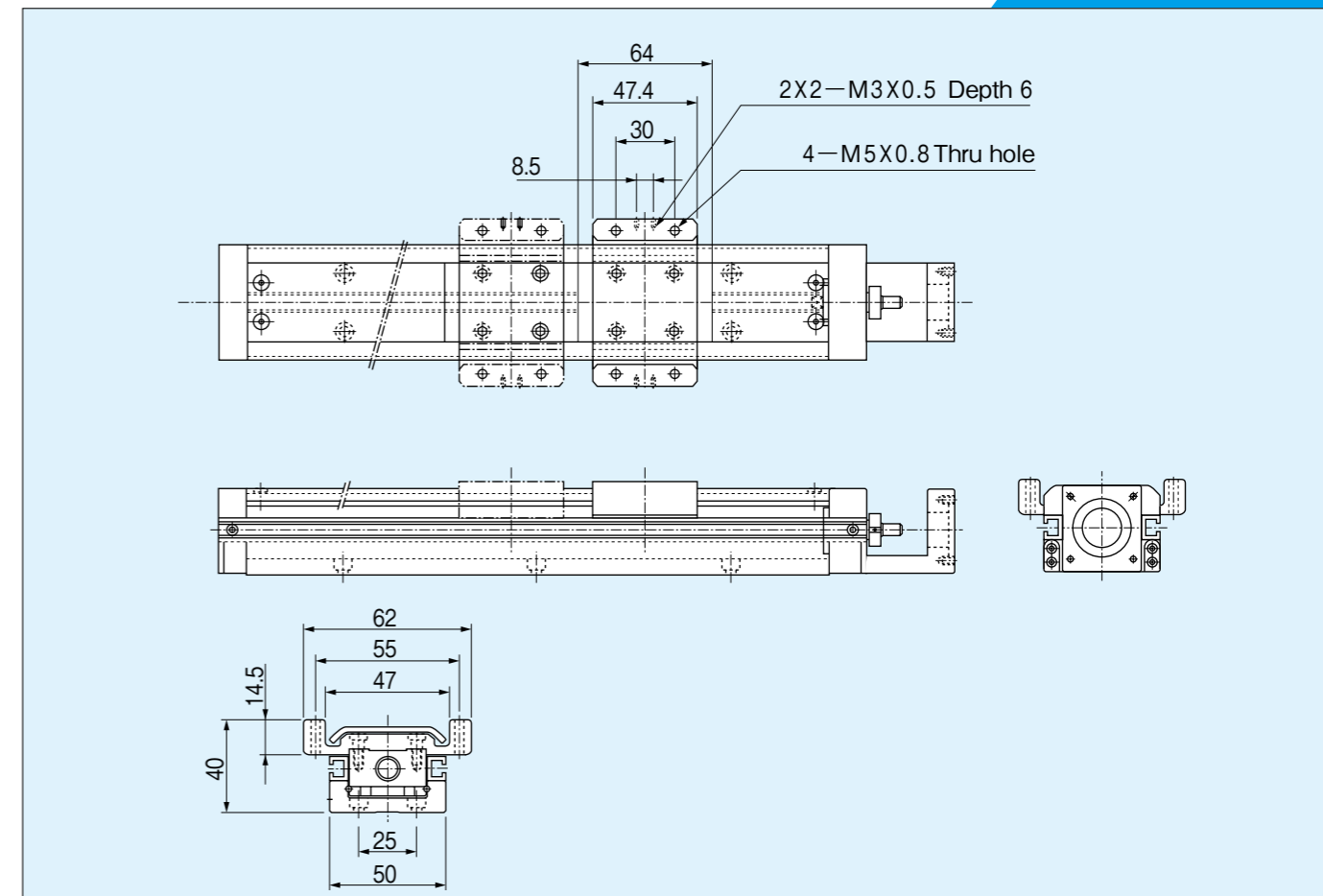
## Standard ver.



Length of Slide Rail (mm)	Overall Length (mm)	Stroke (mm)		E (mm)	n (mm)
		B1	B2		
150	204	75	—	35	80
200	254	125	60	20	80
250	304	175	110	45	80
300	354	225	160	30	80

# CA26

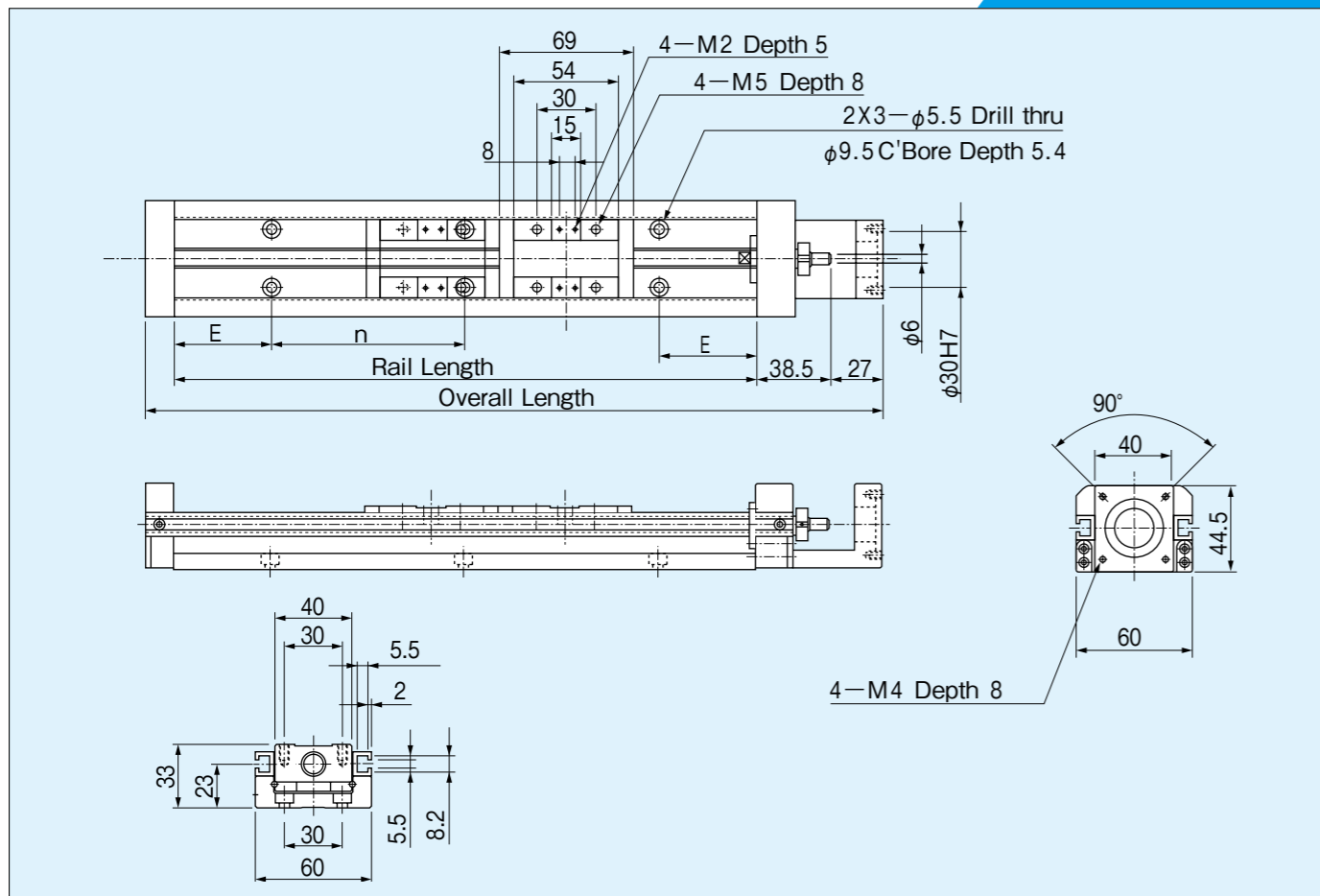
## Optional ver.



Length of Slide Rail (mm)	Overall Length (mm)	Stroke (mm)		E (mm)	n (mm)
		B1	B2		
150	204	60	—	35	80
200	254	110	—	20	80
250	304	160	95	45	80
300	354	210	145	30	80

# CA33

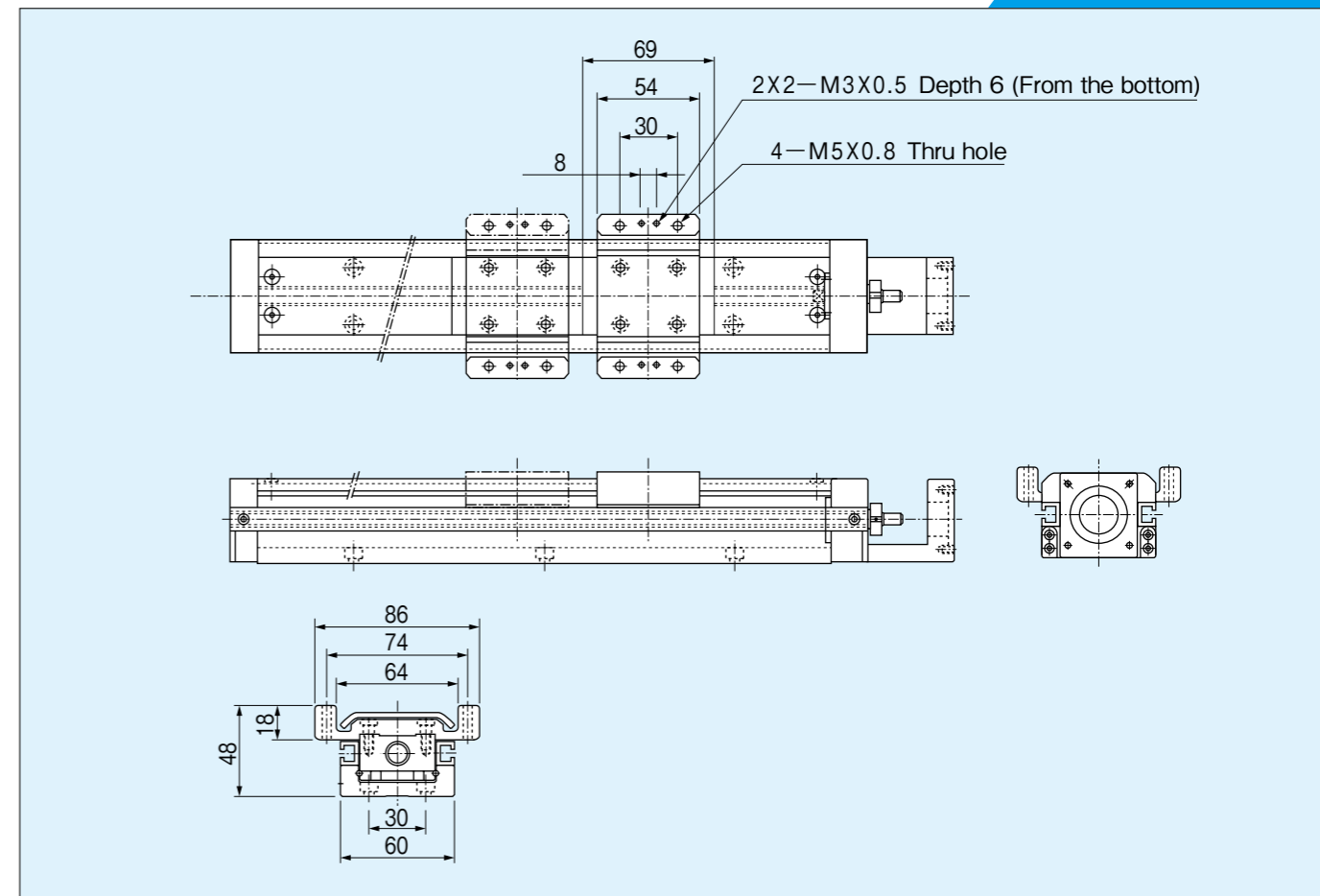
## Standard ver.



Length of Slide Rail (mm)	Overall Length (mm)	Stroke (mm)		E (mm)	n (mm)
		B1	B2		
150	230.5	78	—	25	80
200	280.5	128	—	50	80
300	380.5	228	159	50	80
400	480.5	328	259	50	80
500	580.5	428	359	50	80
600	680.5	528	459	50	80

# CA33

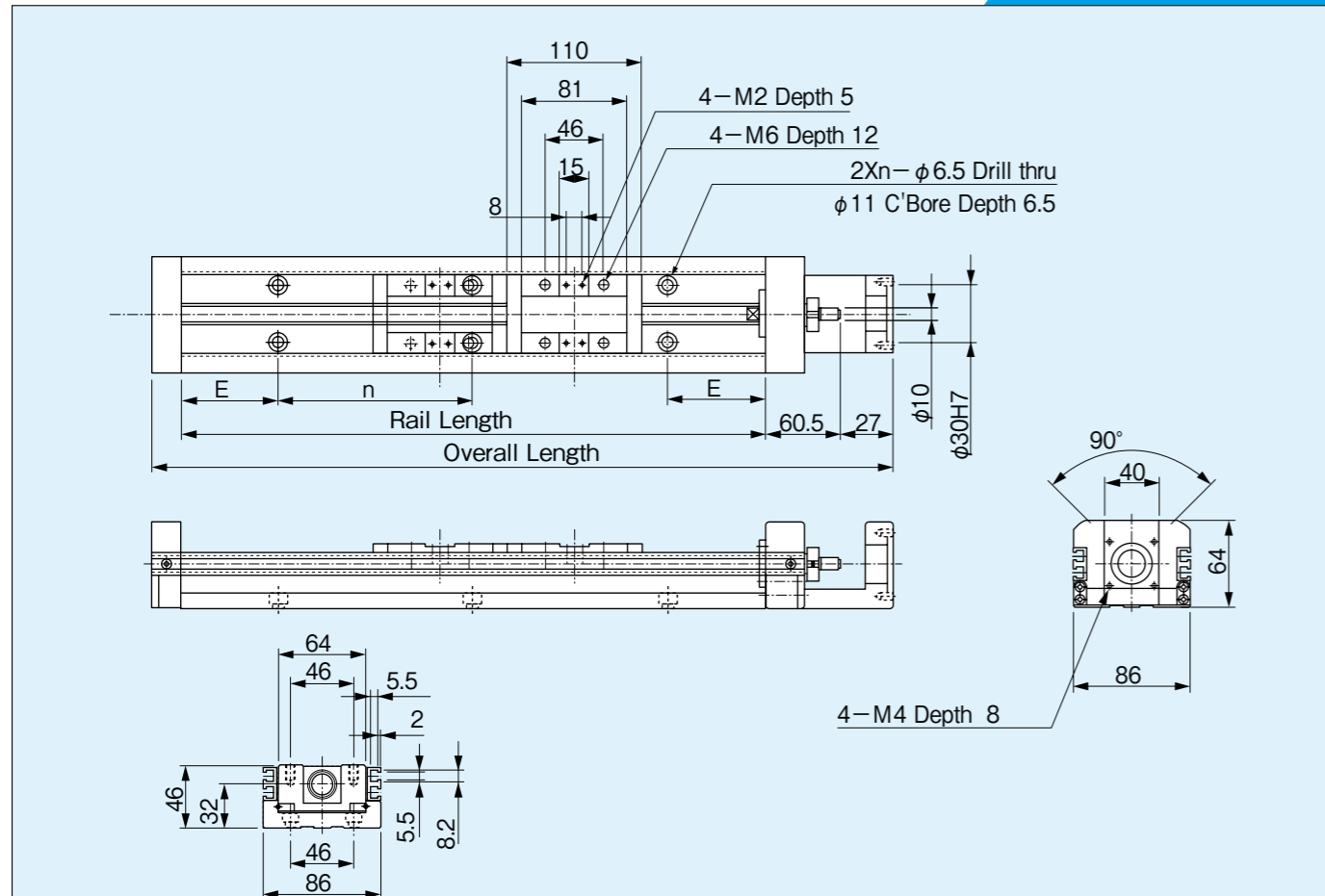
## Optional ver.



Length of Slide Rail (mm)	Overall Length (mm)	Stroke (mm)		E (mm)	n (mm)
		B1	B2		
150	230.5	57	—	25	100
200	280.5	107	—	50	100
300	380.5	207	138	50	100
400	480.5	307	238	50	100
500	580.5	407	338	50	100
600	680.5	507	438	50	100

# CA46

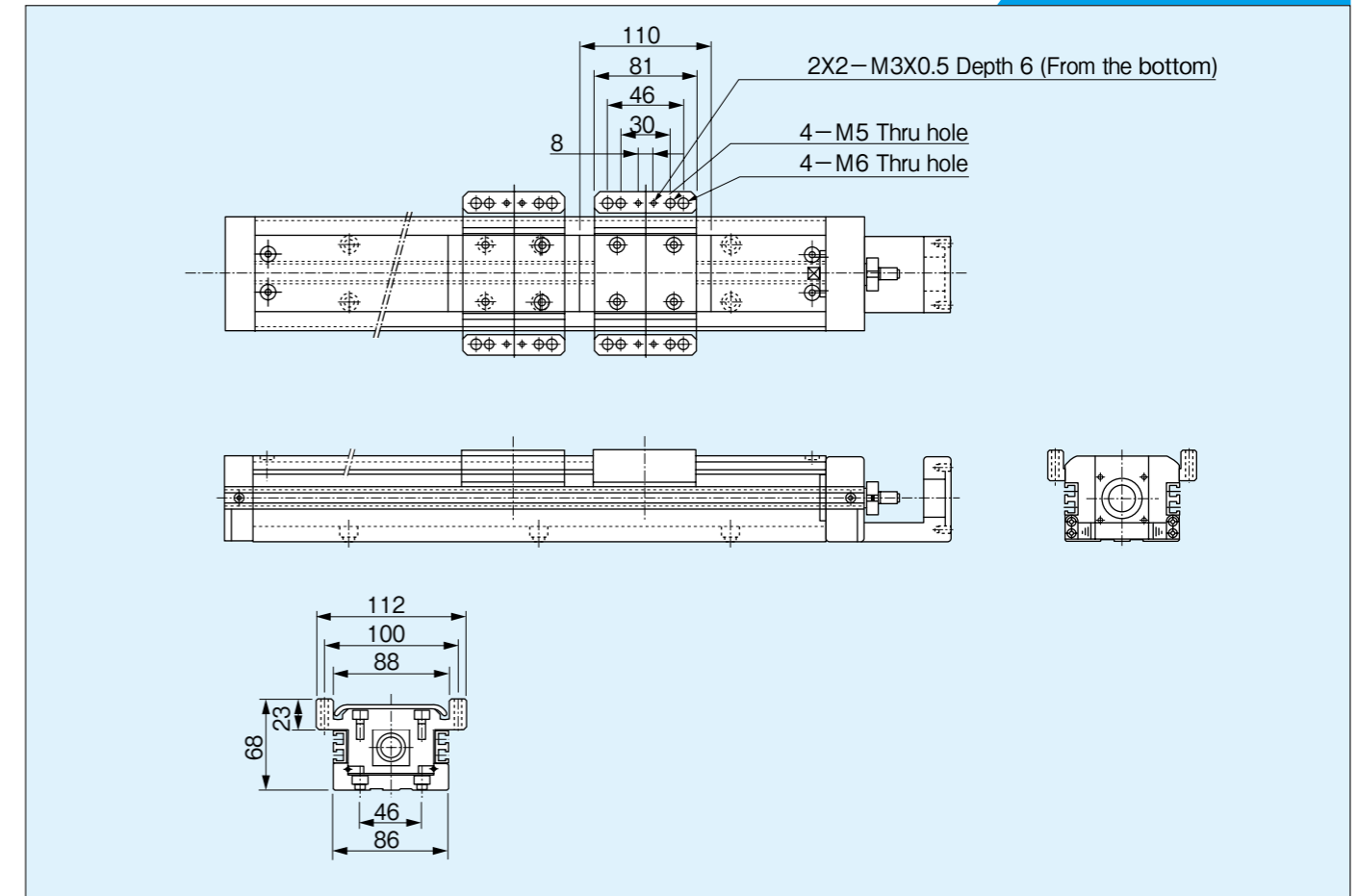
## Standard ver.



Length of Slide Rail (mm)	Overall Length (mm)	Stroke (mm)		E (mm)	n (mm)
		B1	B2		
340	445.5	223	113	70	100
440	545.5	323	213	70	100
540	645.5	423	313	70	100
640	745.5	523	413	70	100
740	845.5	623	513	70	100
840	945.5	723	613	70	100
940	1,045.5	823	713	70	100

# CA46

## Optional ver.



Length of Slide Rail (mm)	Overall Length (mm)	Stroke (mm)		E (mm)	n (mm)
		B1	B2		
340	445.5	206	96	70	100
440	545.5	306	196	70	100
540	645.5	406	296	70	100
640	745.5	506	396	70	100
740	845.5	606	496	70	100
840	945.5	706	596	70	100
940	1,045.5	806	696	70	100