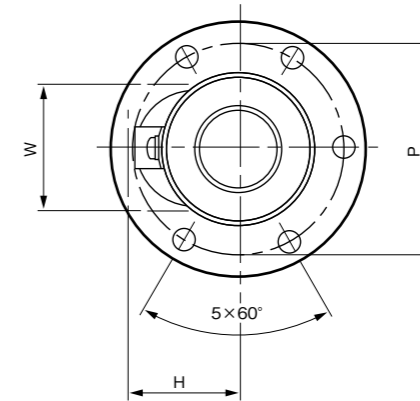
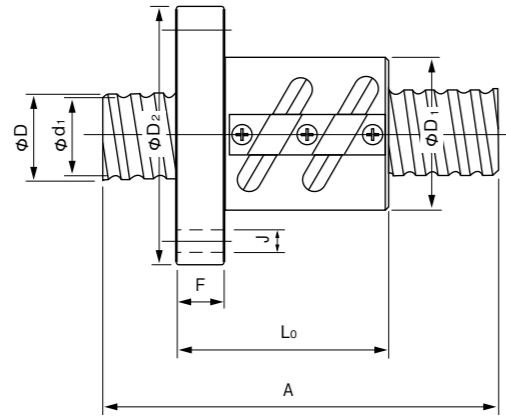


TSK Standard Rolled Ball Screw RBS (Flange Type) series



Unit : mm

Identification Number	Screw Shaft		Lead ℓ	Circuit Direction	Ball Circle Diameter d	Number of Circuits m	Nut		Flange			
	Outer Dia. D	Root Dia. d ₁					O.D. D ₁	Length L ₀	O.D. D ₂	Thickness F	P.C.D. P	Hole Dia. J
RBS 1006	10	8.1	6	Right	2.381	2.5	20	34	42	6	32	5.5
RBS 1208	12	9.7	8	Right	2.778	2.5	25	44	45	8	35	4.5
RBS 1404	14	11.7	4	Right	2.778	3.5	25	44	55	10	40	6.6
RBS 1405	14	11.5	5	Right	3.175	3.5	25	44	55	10	40	6.6
RBS 1605	16	13.5	5	Right	3.175	3.5	30	44	58	10	45	6.6
RBS 1610	16	13.5	10	Right	3.175	2.5	30	52	58	10	45	6.6
RBS 1808	18	14.5	8	Right	4.763	3.5	34	56	64	12	49	6.6
RBS 2005	20	17.5	5	Right	3.175	3.5	34	42	64	12	49	6.6
RBS 2006	20	17.5	6	Right	3.175	5	34	57	64	12	49	6.6
RBS 2010	20	16.4	10	Right	4.763	2.5	38	55	68	12	53	6.6
RBS 2208	22	18.4	8	Right	4.763	5	38	75	74	15	56	9
RBS 2505	25	22.5	5	Right	3.175	2.5	40	36	64	10	52	5.5
RBS 2508	25	21.4	8	Right	4.763	3.5	47	66	83	16	65	9
RBS 2510	25	20.2	10	Right	6.35	5	44	90	80	15	62	9
RBS 2806	28	25.5	6	Right	3.175	5	50	75	80	15	65	6.6
RBS 3208	32	28.4	8	Right	4.763	5	56	78	92	18	75	9
RBS 3210	32	27.2	10	Right	6.35	5	56	93	92	18	75	9
RBS 3610	36	31.2	10	Right	6.35	5	60	98	100	18	80	11
RBS 3612	36	30.6	12	Right	7.144	5	60	108	100	18	80	11
RBS 4010	40	35.2	10	Right	6.35	7	65	115	114	20	90	14
RBS 4510	45	40.2	10	Right	6.35	7	70	115	118	20	94	14
RBS 4512	45	39.6	12	Right	7.144	7	70	140	118	20	94	14
RBS 5010	50	45.2	10	Right	6.35	7	80	125	140	22	110	18
RBS 5016	50	43.0	16	Right	9.525	5	85	144	165	24	125	22

Return Tube		Axial Play	Basic Load Rating (N)		Shaft Length (MAX) A	Nut Identification Number
Width W	Height H		Dynamic Ca	Static Coa		
16	16	0.10	2700	4000	800	RBS 1006
18	20	0.10	3600	5500	1000	RBS 1208
21	21	0.10	5300	9000	1500	RBS 1404
21	21	0.10	6300	10200	1500	RBS 1405
23	24	0.10	6800	11800	1500	RBS 1605
23	24	0.10	5000	8400	1500	RBS 1610
28	27	0.14	11900	19500	1500	RBS 1808
28	27	0.10	7600	15000	2000	RBS 2005
28	27	0.10	10400	21400	2000	RBS 2006
30	30	0.14	9800	16400	1500	RBS 2010
32	30	0.14	18600	35400	2000	RBS 2208
31	27	0.10	6400	13500	2500	RBS 2505
35	30	0.14	14600	28400	2500	RBS 2508
37	35	0.19	28600	53800	2500	RBS 2510
34	33	0.10	12200	30500	3000	RBS 2806
42	39	0.14	22800	53300	3500	RBS 3208
42	39	0.19	32300	67600	3500	RBS 3210
48	39	0.19	34400	76700	3500	RBS 3610
48	43	0.22	39900	85600	3500	RBS 3612
52	45	0.19	48500	120000	4000	RBS 4010
57	51	0.19	52100	139000	5500	RBS 4510
57	51	0.22	60000	152000	5500	RBS 4512
59	52	0.19	61600	173000	5500	RBS 5010
65	59	0.30	79300	185000	5500	RBS 5016

Note : 1. The basic load rating (Co,Coa) values are based on rated life standard of 250km or 10⁶ revolutions.
2. Flanges with a lubrication hole can be also manufactured.

Code Name

